



Toroidal Common Mode Chokes

PTBL4444 Series



PTBL Series common mode toroidal chokes provide an efficient means of filtering supply lines having in-phase signals of equal amplitude thus allowing equipment to meet stringent electrical radiation specifications. Wide frequency ranges can be filtered by using high and low inductance Common Mode toroids in series. Differential mode signals can be attenuated substantially when used together with input and output capacitors.

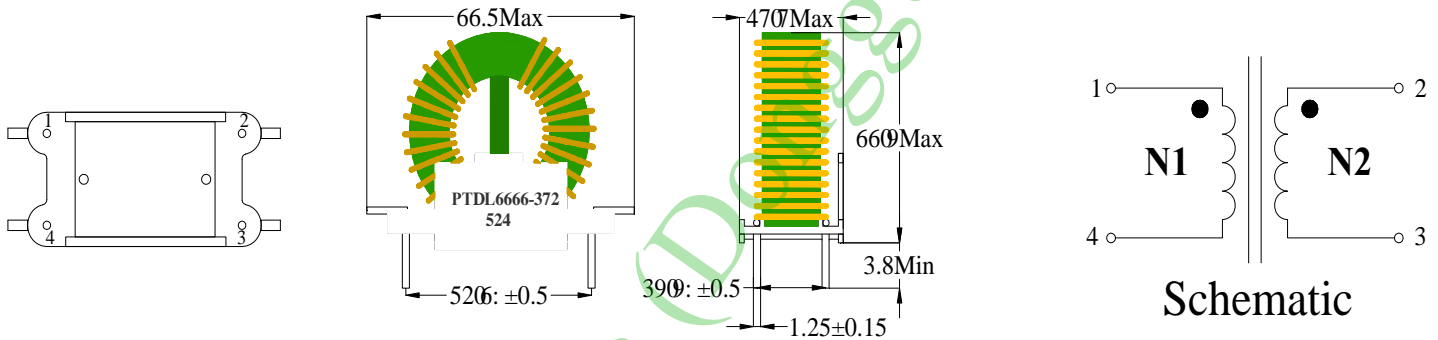
Features:

1. Separated windings for minimum capacitance
2. Competitive pricing due to high volume production
3. materials compliance RoHS & UL.

Electrical Specifications @ 25°C

1. Operating temperature: -40°C to +125°C
2. Maximum Ambient Temperature: 60°C
3. Inductance loss <10% by DC preload

Mechanical Dimensions & Schematics:



Specifications

Part Number	Inductance(mH)Min	Test frequency	Rated Current(A)	DCR(Ω)Max
PTBL4444-150-302	3	1KHZ/0.25V	15	0.009
PTBL4444-120-502	5	1KHZ/0.25V	12	0.035
PTBL4444-068-123	12	1KHZ/0.25V	6.8	0.098
PTBL4444-042-153	15	1KHZ/0.25V	4.2	0.132
PTBL4444-032-223	22	1KHZ/0.25V	3.2	0.352
PTBL4444-020-333	33	1KHZ/0.25V	2	0.73
PTBL4444-018-563	56	1KHZ/0.25V	1.8	1.00

Notes:

1. Wire: 130°C or 150°C
2. Core Material: Mn-Zn ferrite
3. The above specifications for the common specifications, customers can request custom design.